

4

3

2

1

THIS DRAWING IS UNPUBLISHED.  
DIFFUSION RESTREINTE

RELEASED FOR PUBLICATION  
LIBRE A LA DIFFUSION

2011

© COPYRIGHT 2011

by Tyco Electronics Corporation

ALL RIGHTS RESERVED.  
TOUS DROITS RESERVES

LOC	DIST
-	-

REVISIONS

P	LTR REV	DESCRIPTION MODIFICATIONS	DATE	DWN DESS	APVD APPR
A		FD416	08-Oct-91	LR	-
B		UPDATED DRAWING	07-May-13	PG	-

D

D

C

C

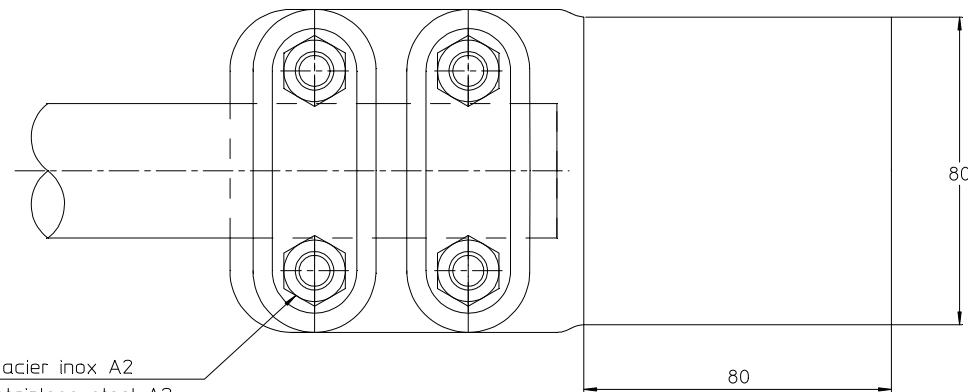
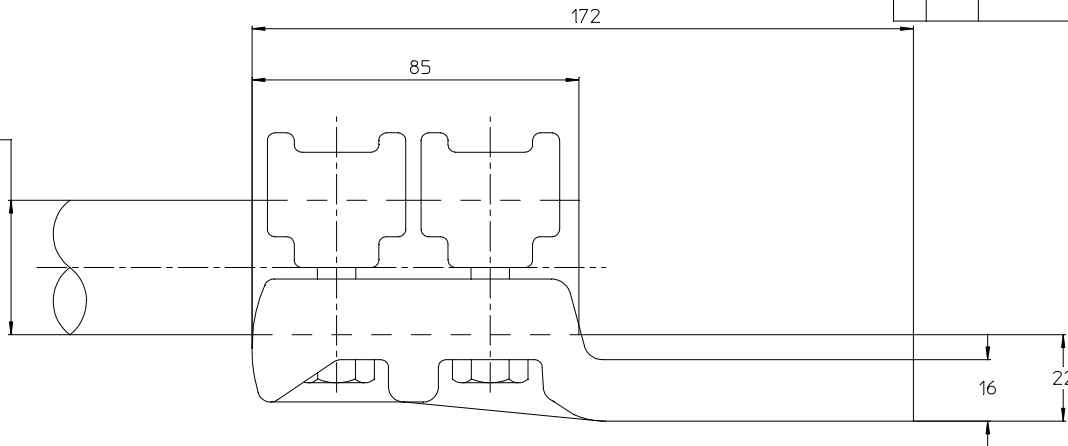
B

B

A


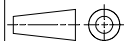
A

Cable ou tube  $\varnothing 31$  à 35,99  
 Cable or tube 31DIA to 35,99  
 Cable o tubo  $\varnothing 31$  a 35,99



37 Nm { 4 Boulons  $\varnothing 10$  acier inox A2  
 4 Bolts 10DIA stainless steel A2  
 4 Tornillos  $\varnothing 10$  acero inoxidable A2

ITEM: .....

THIS DRAWING IS A CONTROLLED DOCUMENT. LE PLAN EST UN DOCUMENT CONTROLÉ PAR TYCO ELECTRONICS CORPORATION IL EST SUSCEPTIBLE D'ÊTRE REVISÉ POUR OBTENIR LA DERNIÈRE RÉVISION CONTACTER LE SERVICE TECHNIQUE DE TYCO ELECTRONICS SHEL SAS 4200 LEVENEY/CHAMBERTIN, FRANCE		DWN /DESSINE 08-Oct-91 ROYER	 <b>TE connectivity</b> <b>SIMEL PRODUCTS</b>	
DIMENSIONS: mm		CHK/VERIFIE -		
TOLERANCES UNLESS OTHERWISE SPECIFIED PER TOLERANCES NON SPECIFIEES SELON :-		APVD/APPROUVE -	DRAWING NO No PLAN 706695	
		PRODUCT SPEC SPEC. PRODUIT 02BFC0031	SIZE FORMAT A3	RESTRICTED TO RESERVE A -
MATERIAL MATIERE -		FINISH FINITION -	APPLICATION SPEC SPEC. APPLICATION -	CAGE CODE 00779
		WEIGHT MASSE APPROX. 0.9 Kg	DRAWING NO No PLAN 706695	UNIQUEMENT POUR REFERENCE
		CUSTOMER DRAWING /PLAN CLIENT		SCALE ECHELLE 3/4
		SHEET FEUILLE 1 OF DE 1		BEV B